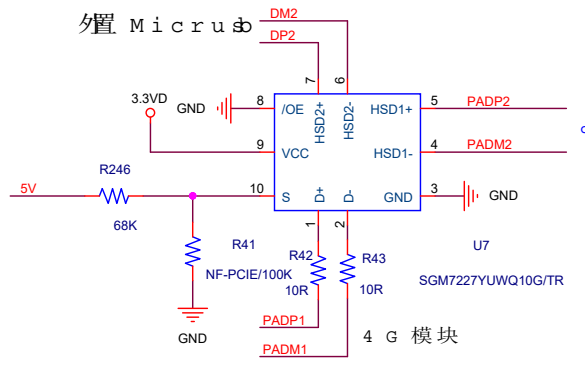
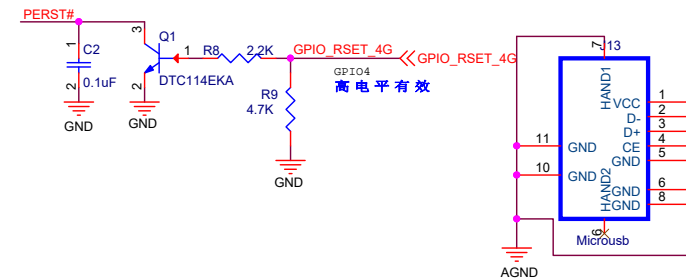
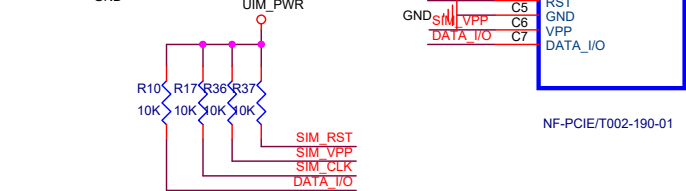
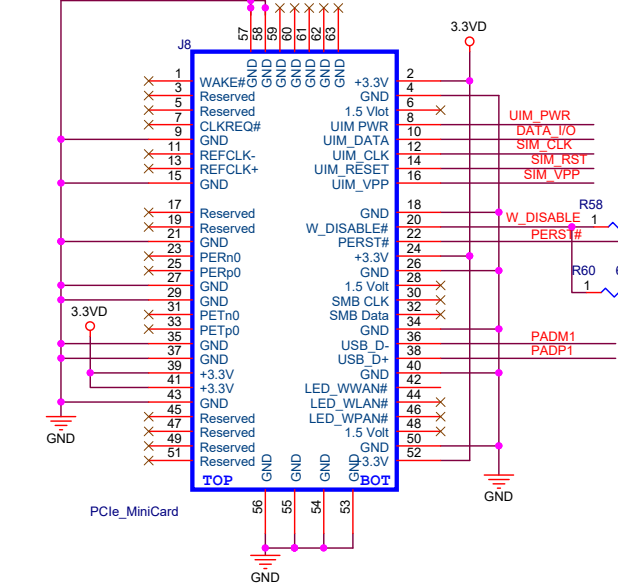
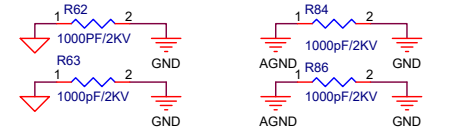


CAP CER 1000PF 2KV 20% X7R 1206



S	HSD1+	HSD2+
	HSD1-	HSD2-
0	ON	OFF
1	OFF	ON

S 系统启动完为高 电平

7_40V /3A DC ADAPTER

